



# TOASTER OVEN

6 Slice

## INSTRUCTION MANUAL

Model: MCSTO6B



THANK YOU FOR PURCHASING A MAGIC CHEF PRODUCT. PLEASE READ ALL INSTRUCTIONS CAREFULLY BEFORE USING THE PRODUCT.

# CONTENTS

**SAFETY INSTRUCTIONS ..... 3**

**IMPORTANT SAFEGUARDS ..... 4**

**PARTS AND FEATURES ..... 6**

**BEFORE USE ..... 7**

**OPERATING INSTRUCTIONS ..... 8**

**CARE AND MAINTENANCE ..... 9**

**WARRANTY ..... 10**

## What You Need to Know About Safety Instructions

Warning and Important Safety Instructions appearing in this manual are not meant to cover all possible conditions and situations that may occur. Common sense, caution and care must be exercised when installing, maintaining, or operating appliance.

Always contact your dealer, distributor, service agent or manufacturer about problems or conditions you do not understand.

### Recognize Safety Symbols, Words, Labels

#### **WARNING**

**WARNING**-Hazards or unsafe practices which **COULD** result in severe personal injury or death.

#### **CAUTION**

**CAUTION**-Hazards or unsafe practices which **COULD** result in minor personal injury.

## **IMPORTANT SAFEGUARDS**

#### **WARNING**

**SAVE THESE INSTRUCTIONS  
FOR HOUSEHOLD USE ONLY**

# IMPORTANT SAFEGUARDS

When using electrical appliances, basic safety precaution should always be followed, including the following:

**1. READ ALL INSTRUCTIONS.**

2. This appliance is for household use only. Do not use outdoors.
3. Before using for the first time, check if voltage indicated on the base of the appliance corresponds to the voltage in your home.
4. Close supervision is necessary when any appliance is used by or near children.
5. Do not operate any appliance with a damaged cord or plug, or after the appliance malfunctions or has been damaged in any manner.
6. The use of attachments or accessories, not recommended or sold by the manufacturer, may result in fire, electric shock, or injury.
7. When not in use, or assembling and disassembling, or before cleaning, unplug the appliance from the outlet. Make sure the appliance cools down completely before assembling, disassembling and cleaning.
8. Do not let the cord hang over edge of table or counter, or touch hot surfaces.
9. Do not touch hot surfaces of the appliance. Use handles or knobs.
10. Leave about 6 to 8 inches of open space around the exterior of this appliance.
11. Do not place anything on top of this appliance.
12. Do not operate the appliance on a wall-mount, shelf, or near flammable materials such as blinds, curtains, etc.
13. Oversized foods or metal utensils must not be inserted in a toaster oven as they may create fire or risk of electric shock.
14. This appliance should be operated on a separate electrical circuit from other operating devices.
15. Do not store anything inside the oven.
16. Do not cover the crumb tray or any part of the oven with metal foil. This overheats the appliance.
17. To disconnect, turn the control to OFF, then remove the plug.
18. All containers placed inside the oven must not be airtight. They need to have enough room to allow for expansion of fluids.
19. Clean this appliance regularly as built-up grease may cause fire.

20. Do not clean with metal scouring pads. Pieces can break off the pad and touch electrical parts involving a risk of electric shock.
21. Stale toast, croutons, crackers may catch fire inside this appliance. Watch the toasting process carefully.
22. Use only a soapy damp rag to clean the glass on oven door. Do not use any sharp utensils as this may damage the glass and possibly cause breaking of the glass.
23. Do not place on or near a hot gas or electric burner, or in a heated oven.
24. Extreme caution should be exercised when using containers constructed of other than metal or glass.

## Notes on the Cord Plug

This appliance has a polarized plug. To reduce the risk of electric shock, this plug is intended to fit into a polarized outlet only in one way. If the plug does not fit fully into an electrical outlet, reverse the plug. If it still does not fit, contact a qualified electrician. Do not attempt to modify the plug in any way.

- A. A shorter power-supply cord (or detached power-supply cord) is provided to reduce the risk resulting from being entangled in or tripping over a longer cord.
- B. Longer detachable power-supply cords or extension cords are available and may be used if care is exercised in their use.
- C. If a long detachable power-supply cords or extension cord is used:
  1. The marked electrical rating of the detachable power-supply cord or extension cord should be at least equal or great than the electrical rating of the appliance.
  2. If the appliance is a grounded type, the extension cord should be a grounding-type 3-wire cord.
  3. The longer cord should be arranged so that it will not drape over the counter top or table top where it can be pulled on by children or tripped over.

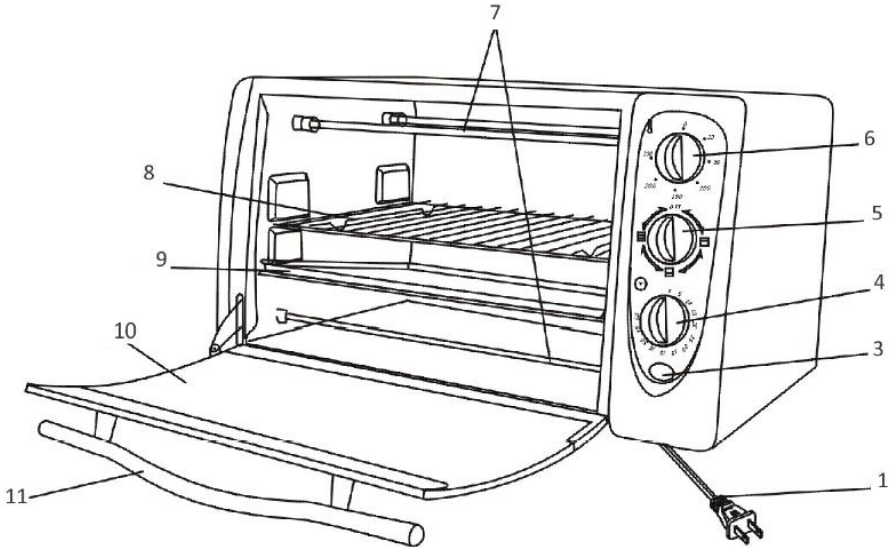
### **WARNING:**

To protect against electric shock, fire, and injury to person(s), do not immerse main cord, plug, or unit in water or any other liquid.

### **CAUTION:**

Do not use an extension cord with this appliance. If necessary, an extension cord must have compatible rating for power and voltage. Do not modify the plug and extension cord with this appliance; including 3 prong grounded plug.

# PARTS AND FEATURES

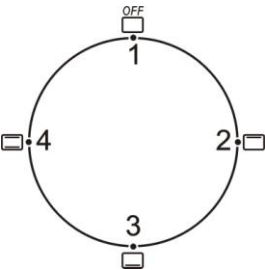


- 1. Power Cord
- 2. Tray Handle
- 3. Power Indicator
- 4. Time Selector
- 5. Heating Selector
- 6. Temperature Selector
- 7. Heating Element
- 8. Baking Grill
- 9. Baking Tray
- 10. Door
- 11. Door Handle

## Specifications

- Voltage Rating: 120V 60 Hz
- Power Rating: 1400 Watts
- Maximum Capacity: 6 Slice

## Control Panel



- 1. OFF
- 2. Upper Heating
- 3. Lower Heating
- 4. Upper + Lower Heating

# BEFORE USE

Wash all oven accessories with mild dish detergent and rinse thoroughly with clean water. Dry all accessories before reassembling.

1. Carefully unpack the Toaster Oven and remove all packaging materials.
2. Select a flat, heat-resistant, non-flammable surface to place toaster oven.
3. Do not immerse the toaster oven in water or other liquid.
4. To remove any dust that may have accumulated on during packaging, clean the surface with a damp cloth and remove any stickers (except for any warning/caution stickers).
5. Before the first use, heat up the oven empty for at least 15 minutes. This will burn off the brand new scent. A little smoke is normal and will disappear soon during the use.

## CAUTION:

Be sure to remove all paper and plastic wrap / packaging from the food before cooking.

## WARNING:

The oven surface will become hot during and after use. Keep your hand safe by not touching the surface.

# OPERATING INSTRUCTIONS

## Using the Toaster Oven

1. Place the food in the oven by placing it on top of the cooking tray. Non-oily food can be placed directly while oil food should be wrapped in aluminum foil as oil spilt on the tray may burn causing smoke and tarnishing the tray.
2. Select the heating method by turning the cooking mode selector knob clockwise.
  - A. Both (Upper & Lower) heating elements are OFF.
  - B. Upper and Lower heating element is ON.
  - C. Lower heating element is ON.
  - D. Both (Upper & Lower) heating elements are ON.
3. Select the timer by turning the timer knob clockwise to a desired time up to 30 min max. When cooking cycle completes, the bell will chime to indicate that cooking is completed.
4. When the user wants to end the cycle before the timer reaches 0, turn off the timer counter-clockwise to OFF or 0 position to manually turn off the Toaster Oven.
5. Remove food from the Toaster Oven and serve.

## Using the Rotisserie Function

1. Set the desired temperature using the Temperature Selector.
2. Set the Heating Selector to position 2 or 4. Insert the pointed end of ROTISSERIE SPIT through a skewer towards the square of the SPIT and secure with thumbscrew.
3. Place food on the SPIT by running the SPIT directly through the center of the food.
4. Place the second skewer into the other end of food and secure the skewer with the thumbscrew.
5. Check that food is centered on the SPIT.
6. Insert the pointed end of the SPIT into the drive socket. Make sure the square end of the SPIT rests on the SPIT support.
7. Set the desired cooking time using the Time Selector
8. After the cooking completes, turn the Time Selector to 0 to switch off.
9. Remove the SPIT by placing the hooks of the Rotisserie Handle under the grooves on either side of the SPIT, take out the left of the SPIT first by lifting it up and out. Then pull the SPIT out of the drive socket and carefully remove the food from the Toaster Oven. Take the food off of the SPIT and place it on a cutting board or platter.



# CARE AND MAINTENANCE

**CAUTION: Completely clean and dry all parts after every use.**

1. Unplug the oven and allow it to cool completely before any cleaning or maintenance.
2. Never allow water to spill on the tempered glass door when it is still warm.
3. To clean interior walls, use a damp cloth and a mild liquid soap solution or a soapy solution on a sponge. Never use harsh abrasive products. These could damage the oven surface.
4. Do not use abrasive cleaners, as they could leave scratches on the body. Simply wipe the exterior with a clean cloth and dry thoroughly.
5. Wire rack and bake tray are dishwasher safe. If heavily soiled, soak in hot sudsy water or use a nylon-scouring pad or nylon brush.
6. Never wrap the cord around the outside of the oven.



### LIMITED WARRANTY

Unless otherwise prohibited, **MC Appliance Corporation** warrants each **6 SLICE TOASTER OVEN MCSTO6B** to be free from defects in material and workmanship and agrees to remedy any such defect or to furnish a new part(s) (at the company's option) of the unit that fails during the warranty period. **A copy of the dated sales receipt or invoice is required to receive warranty service or a refund.**

**This warranty covers an appliance in use within the continental United States, Puerto Rico and Hawaii. The warranty does not cover the following:**

- Damages due to shipping or improper installation.
- Damages due to misuse or abuse.
- Content losses due to failure of the unit.
- Repairs performed by unauthorized service agents.
- Service calls that do not involve defects in material and workmanship such as instruction on proper use of the product or improper installation.
- Failure of this product if used for other than for its intended purpose.
- Disposal costs for any failed unit not returned to our factory.
- Any delivery costs incurred as the result of a unit that fails to perform as specified.

**This warranty is in lieu of any and all warranties expressed or implied and no representative or person is authorized to assume for us any other liability in connection with the sale of this product. Under no circumstances is the consumer permitted to return this unit to the factory without prior written consent from MC Appliance Corporation.**

<b>Model</b>	<b>Parts &amp; Labor</b>	<b>Type of Service</b>
<b>MCSTO6B</b>	One-Year	Carry-In

**For Service or Assistance please call**

**888-775-0202**

**Or visit us on the web at [www.magicchef.com](http://www.magicchef.com) to request warranty service**